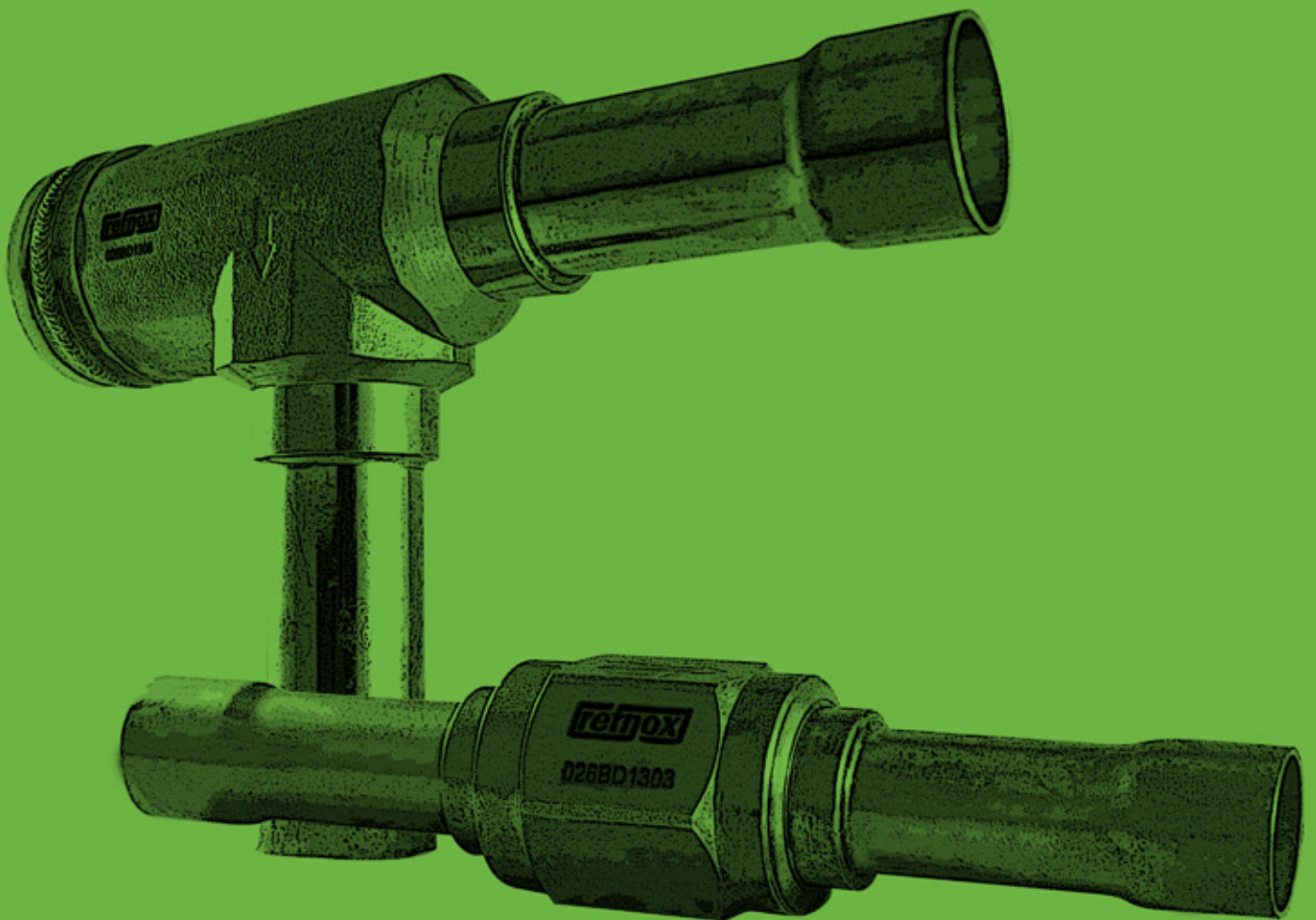


# Check Valves

**refnox**



# RCV Check Valves



## ◆ Model RCV One Way Valve

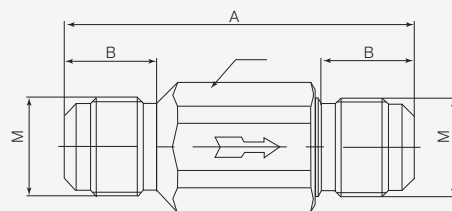
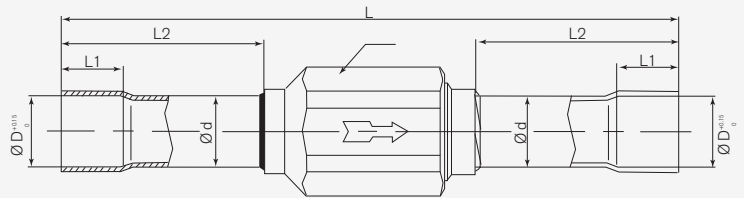
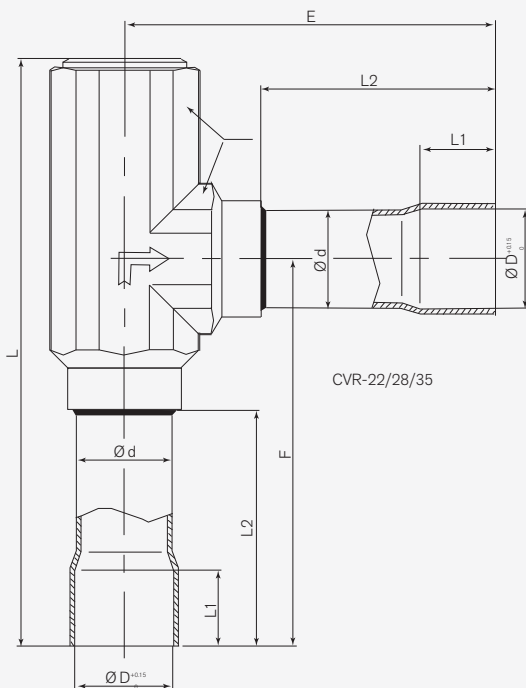
- \* RCV one-way valve is used on the piping of liquid, suction gas or hot air on the freezing, cold storage and air conditioner units.
- \* The valve seat and seals of RCV has excellent sealing performance.
- \* RCV, both threaded and welded connections are available.

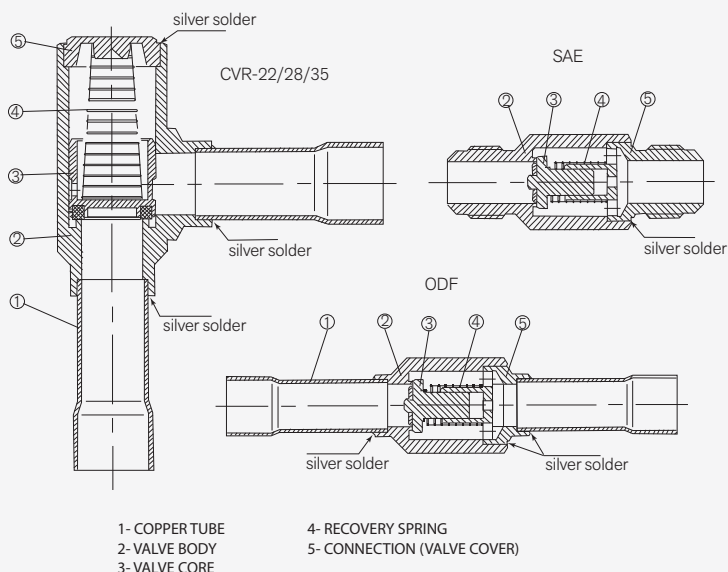
## ◆ Features

- \* Ensure one flow direction and avoid reversal.
- \* With the built-in damper and could be mounted on the piping with pressure pulsation.
- \* Prevent refrigerant back flow from high temperature evaporator to low temperature evaporator.
- \* Applicable to the refrigeration unit with parallel compressor.
- \* Both strightway and angleway versions are available.

## ◆ Technical Specifications

- \* Appropriate Refrigerant: HCFC,HFC
- \* Appropriate Temperature: -40°C~+120°C
- \* Maximum Working Pressure: 3.0MPa
- \* Maximum Test Pressure: 4.5MPa
- \* Minimum Opening Pressure Differential:  $\Delta P=0.03MPa$





## ◆ RCV Series Check Valves Technical Dimensions

Model	Overall Dimension										
	A	B	hexagon S	Thread M	L	L1	L2	øD	ød	E	F
RCV-6	52.5	14	17	7/16-20UNF	86	7	29	6.5	6	-	-
RCV-10	62.5	16	22	5/8-18UNF	106	8	36	10.1	10	-	-
RCV-12	68.5	18	24	3/4-16UNF	118	10	39	12.9	12	-	-
RCV-16	79.5	21	27	7/8-14UNF	140	14	46	16.1	16	-	-
RCV-19	90.5	24	32	1-1/16-14UNS	152	16	49	19.2	19	-	-
RCV-22A	-	-	32	--	136	17	53	22.3	22	84	87
RCV-28A	-	-	36	--	184	20	70	28.7	28	114	106
RCV-35A	-	-	45	--	197	25	85	35.2	35	127	129

## ◆ RCV Series Check Valves Order Codes

Model	Type	Specification		Code Nr		I.D. (mm)	Kv Value (m3/h)
		Flare	Welded	Flare	Welded		
RCV-6	Straight	1/4 SAE	1/4 ODF	026BD1309	026BD1300	4.8	0.56
RCV-10		3/8 SAE	3/8 ODF	026BD1310	026BD1301	8	1.43
RCV-12		1/2 SAE	1/2 ODF	026BD1311	026BD1302	10	2.05
RCV-16		5/8 SAE	5/8 ODF	026BD1312	026BD1303	13	3.6
RCV-19		3/4 SAE	3/4 ODF	026BD1313	026BD1304	16	5.5
RCV-22A	Angle	--	7/8 ODF		026BD1305	19	8.5
RCV-28A		--	1-1/8 ODF		026BD1306	25	19
RCV-35A		--	1-3/8 ODF		026BD1307	32	29

Kv value: Pressure differential is 100 KPa, flowrate at m3/h of water in density 1t/m3 flows through the solenoid valve.