

## Instructions for serial communication

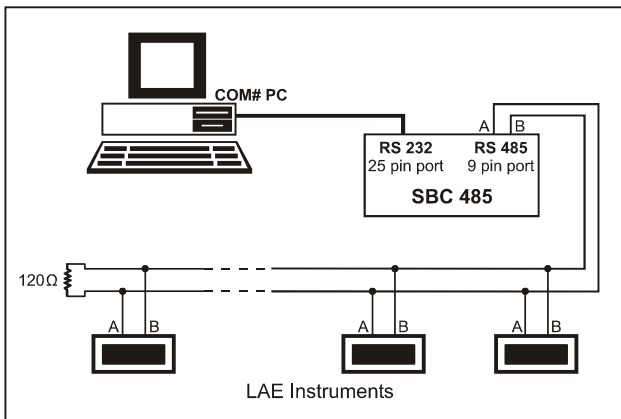


The connection between PC and one or more LAE instruments requires usage of an SBC 485 interface adaptor to be interposed between RS 232 serial port and the communication bus. The connection between PC serial port and SBC485 is made by a common "modem cable".

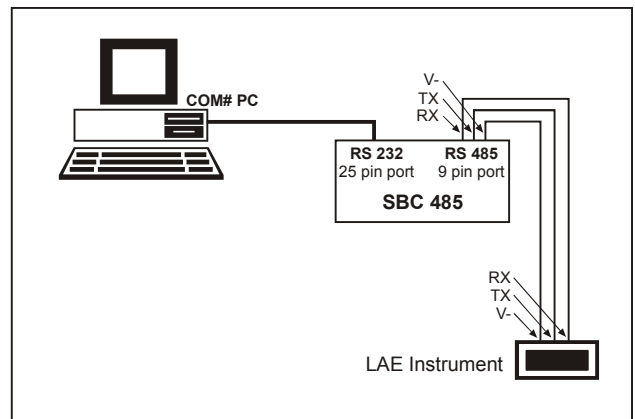
In case of RS 485 serial communication, the bus consists of two polarized wires (A and B). The line can cover 2000 mt maximum; for long distance, it's advisable the usage of a shielded twisted pair polyethylene cable. The shield must be welded to pin 4 of RS 485 connector of SBC 485. For good data transmission, it's imperative that at the cable end a 120 ohm resistor is placed in.

In case of TTL serial communication, the bus consists of three wires: RX, TX and V- signals. The line can cover only few meters.

### CONNECTIONS



RS485 serial communication



TTL serial communication

Serial Communication Mode	SBC485 9 pin connector	Instrument with AMPMODU Connector	Instrument with Jack Connector
RS485	1=A 2=B 6	2=A 3=B 1=Don't Connect	3=B 4=A 1 8
TTL	1 3=V- 6=TX 7=RX	2=RX 3=TX 1=Don't Connect 4=V-	1=TX 2=RX 7,8=V- 