

## AD3-5 INSTRUCTIONS FOR USE

Thank you for having chosen an LAE electronic product. Before installing the instrument, please read this instruction booklet carefully in order to ensure safe installation and optimum performance.

### DESCRIPTION



Fig.1 — Front panel

- Info / Setpoint button.
- Manual defrost / Decrease button.

### INDICATIONS

- Thermostat output
- Fan output
- Defrost output
- Activation of 2nd parameter set
- Alarm

- Increase / manual activation button.
- Exit / Stand-by button.

### INSTALLATION

- Insert the controller through a hole measuring 71x29 mm.
- Make sure that electrical connections comply with the paragraph "wiring diagrams". To reduce the effects of electromagnetic disturbance, keep the sensor and signal cables well separate from the power wires.
- Fix the controller to the panel by means of the suitable clips, by pressing gently; if fitted, check that the rubber gasket adheres to the panel perfectly, in order to prevent debris and moisture infiltration to the back of the instrument.
- Place the probe T1 inside the room in a point that truly represents the temperature of the stored product.
- Place the probe T2 on the evaporator where there is the maximum formation of frost.
- The function of probe T3 is determined by the parameter T3. With T3=DSP the probe measures the temperature to be displayed. With T3=CND the probe measures the condenser temperature, it must therefore be placed between the fins of the condensing unit. With T3=2EU the probe measures the temperature of the second evaporator and it must therefore be placed where there is the maximum formation of frost. With T3=NON, the third probe is disabled.

### OPERATION

#### DISPLAY

During normal operation, the display shows either the temperature measured or one of the following indications:

DEF	Defrost in progress	HP	Condenser high pressure alarm
REC	Recovery after defrost	HI	Room high temperature alarm
OFF	Controller in stand-by	LO	Room low temperature alarm
CL	Condenser clean warning	E1	Probe T1 failure
DO	Door open alarm	E2	Probe T2 failure
HC	Condenser high temperature alarm	E3	Probe T3 failure

#### INFO MENU

The information available in this menu is:

T1	Instant probe 1 temperature	TLO	Minimum probe 1 temperature recorded
T2	Instant probe 2 temperature	CND	Compressor working weeks
T3	Instant probe 3 temperature	LOC	Keypad state lock
THI	Maximum probe 1 temperature recorded		

#### Access to menu and information displayed.

- Press and immediately release button [I].
- With button [M] or [A] select the data to be displayed.
- Press button [I] to display value.
- To exit from the menu, press button [X] or wait for 10 seconds.

#### Reset of THI, TLO, CND recordings

- With button [M] or [A] select the data to be reset.
- Display the value with button [I].
- While keeping button [I] pressed, use button [X].

#### SETPOINT (display and modification of desired temperature value)

- press button [I] for at least half second, to display the setpoint value.
- By keeping button [I] pressed, use button [M] or [A] to set the desired value (adjustment is within the minimum SPL and the maximum SPH limit).
- When button [I] is released, the new value is stored.

#### STAND-BY

Button [SB], when pressed for 3 seconds, allows the controller to be put on a standby or output control to be resumed (with SB=YES only).

#### KEYPAD LOCK

The keypad lock avoids undesired, potentially dangerous operations, which might be attempted when the controllers is operating in a public place. In the INFO menu, set parameter LOC=YES to inhibit all functions of the buttons. To resume normal operation of keypad, adjust setting so that LOC=NO.

#### SELECTION OF SECOND PARAMETER GROUP

It's possible to select control parameters between two different pre-programmed groups, in order for the fundamental control parameters to be adapted quickly to changing needs.

Changeover from Group I to Group II may take place manually by pressing button [D] for 2 seconds (with IISM=MAN), or automatically when heavy duty conditions are detected (with IISM=HDD), or when the auxiliary input DI2 is activated (IISM=DI2). The activation of Group II is signalled by the lighting up of the relevant LED on the controller display. If IISM=NON, switchover to group II is inhibited.

#### DEFROST

**Automatic defrost.** A defrost is started automatically as soon as the time set with parameter DFT has elapsed.

- Timed defrost. With DFM=TIM the timer increment is continuous and defrosts take place at regular intervals. For example, with DFM=TIM and DFT=06, a defrost will take place every 6 hours.
- Optimised defrost. With DFM=FRO the timer is only increased when the conditions occur for frost to form on the evaporator, until the time set with parameter DFT is matched. If the evaporator works at 0°C, defrost frequency depends on the thermal load and climatic conditions. With setpoints much lower than 0°C, defrost frequency mainly depends on the refrigerator operating time.
- Defrost time count backup. At the power-up, if DFB=YES, the defrost timer resumes the time count from where it was left off before the power interruption. Vice versa, with DFB=NO, the time count re-starts from 0. In stand-by, the accumulated time count is frozen.

**Manual or remote defrost start.** It's possible to manually start a defrost, by pressing button [D] for 2 seconds, or defrost may be started remotely, if DI2=RDS, through the making of the auxiliary contact DI2.

**Defrost type.** Once defrost has started, Compressor and Defrost outputs are controlled according to parameter DTY. If FID=YES, the evaporator fans are active during defrost.

**Defrost termination.** The actual defrost duration is influenced by a series of parameters.

- Time termination: T2=NO and T3 different from 2EU: the evaporator temperature is not monitored and defrost will last as long as time DTO.

- Temperature monitoring of one evaporator: T2=YES and T3 different from 2EU. In this case, if the sensor T2 measures the temperature DLI before the time DTO elapses, defrost will be terminated in advance.
- Temperature monitoring of two evaporators: T2=YES, T3=2EU, OAU=2EU. This function is for the control of two independent evaporators and it switches off the individual heating of the evaporator which gets to temperature DLI first, waiting for the second evaporator to get to that temperature before the time DTO elapses (see figure).

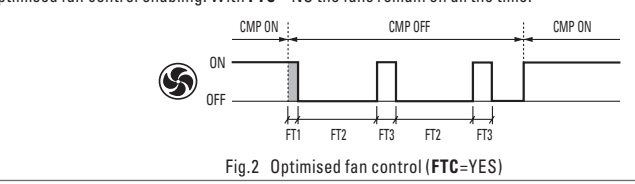
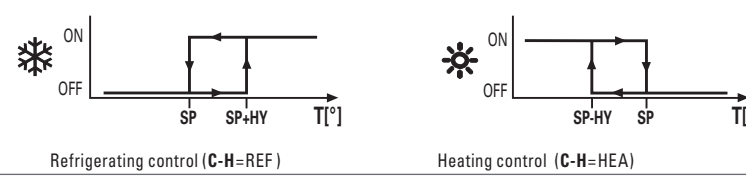
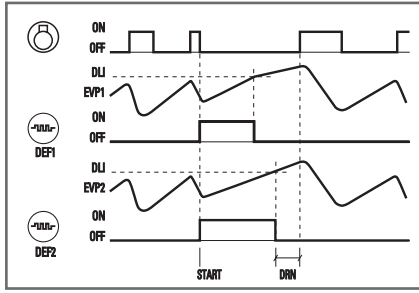
**Resuming thermostatic cycle.** When defrost is over, if DRN is greater than 0, all outputs will remain off for DRN minutes, in order for the ice to melt completely and the resulting water to drain. Moreover, if probe T2 is active (T2=YES), the fans will re-start when the evaporator gets to a temperature lower than FDD; Vice versa, if probe T2 is not active (T2=NO) or after defrost has come to an end, such condition does not occur by end of the time FTO, after FTO minutes have elapsed since the fans will be switched on anyway.

**Caution: if DFM=NON or C-H=HEA all defrost functions are inhibited; if DFT=0, automatic defrost functions are excluded. During a high pressure alarm, defrost is suspended. During defrost, high temperature alarm is bypassed.**

### CONFIGURATION PARAMETERS

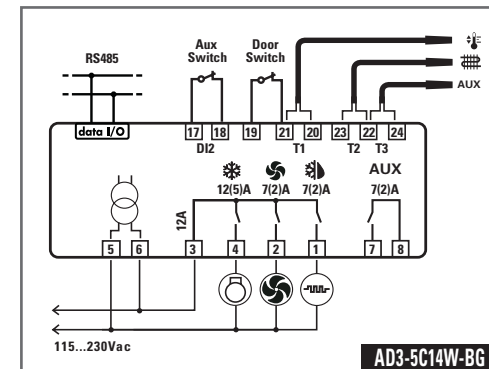
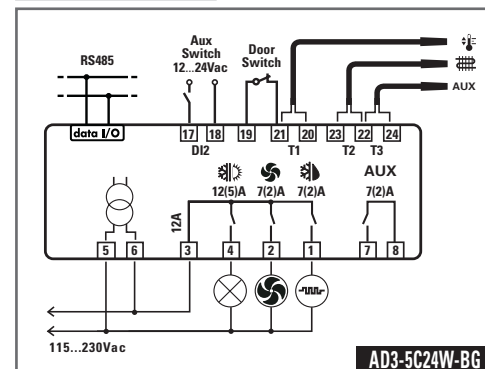
- To get access to the parameter configuration menu, press button [X]+[I] for 5 seconds.
- With button [M] or [A] select the parameter to be modified.
- Press button [I] to display the value.
- By keeping button [I] pressed, use button [M] or [A] to set the desired value.
- When button [I] is released, the newly programmed value is stored and the following parameter is displayed.
- To exit from the setup, press button [X] or wait for 30 seconds.

PAR	RANGE	DESCRIPTION
SCL	1°C; 2°C; °F	Readout scale. 1°C (with INP=SN4 only): measuring range -50/-9.9 ... 19.9/80°C 2°C: measuring range -50 ... 120°C °F: measuring range -55 ... 240°F  Caution: upon changing the SCL value, it is then absolutely necessary to reconfigure the parameters relevant to the absolute and relative temperatures (SPL, SPH, SP, ALA, AHA, etc.)
SPL	-50..SPH	Minimum limit for SP setting
SPH	SPL..120°	Maximum limit for SP setting
SP	SPL... SPH	Setpoint (value to be maintained in the room).
C-H	REF; HEA	Refrigerating (REF) or Heating (HEA) control mode
HYS	1...10°	OFF/ON thermostat differential   Refrigerating control (C-H=REF)
		 Heating control (C-H=HEA)
CRT	0...30min	Compressor rest time. The output is switched on again after CRT minutes have elapsed since the previous switchover. We recommend to set CRT=03 with HYS<2.0°.
CT1	0...30min	Thermostat output run when probe T1 is faulty. With CT1=0 the output will always remain OFF.
CT2	0...30min	Thermostat output stop when probe T1 is faulty. With CT2=0 and CT1>0 the output will always be ON. Example: CT1=4, CT2=6: In case of probe T1 failure, the compressor will cycle 4 minutes ON and 6 minutes OFF.
CSD	0...30min	Compressor stop delay after the door has been opened (active only if DS=YES).
2CD	0...120sec	Auxiliary compressor start delay. If OAU = 2CU the auxiliary output is switched on with a delay of 2CD seconds after the main compressor has cut-in. Both compressors are turned off at the same time.
DFM	NON; TIM; FRO	Defrost start mode NON: defrost function is disabled (the following parameter will be FID). TIM: the defrost time count is increased continuously. FRO: the defrost time count is only increased when the conditions occur for frost to form on the evaporator (optimised time increase).
DFT	0...99 hours	Time interval among defrosts. When this time has elapsed since the last defrost, a new defrost cycle is started.
DFB	NO/YES	Defrost timer count backup. With DFB=YES, after a power interruption, the timer resumes the count from where it was left off with ±30 min. approximation. With DFB=NO, after a power interruption, the defrost timer will re-start to count from zero.
DLI	-50...120°	Defrost end temperature.
DTO	1...120min	Maximum defrost duration.
DTY	OFF; ELE; GAS	Defrost type OFF: off cycle defrost (Compressor and Heater OFF). ELE: electric defrost (Compressor OFF and Heater ON). GAS: hot gas defrost (Compressor and Heater ON).
DRN	0...30min	Pause after defrost (evaporator drain down time).
DDY	0...60min	Display during defrost. If DDY=0 during defrost the temperature continues to be displayed. If DDY>0, during defrost the display shows DEF, when defrost is over REC is displayed during DDY minutes.
FID	NO/YES	Fans active during defrost.
FDD	-50...120°	Evaporator fan re-start temperature after defrost.
FTO	0...120min	Maximum evaporator fan stop after defrost.
FTC	NO/YES	Optimised fan control enabling. With FTC = NO the fans remain on all the time.   Fig.2 Optimised fan control (FTC=YES)
FT1	0...180sec	Fan stop delay after compressor stop. See Fig. 2
FT2	0...30min	Timed fan stop. With FT2=0 the fans remain on all the time.
FT3	0...30min	Timed fan run. With FT3=0, and FT2>0, the fans remain off all the time.



ATM	NON; ABS; REL	Alarm threshold management. NON: all temperature alarms are inhibited (the following parameter will be ADO). ABS: the values programmed in ALA and AHA represent the real alarm thresholds. REL: the values programmed in ALR and AHR are alarm differentials referred to SP and SP+HY.   Temperature alarm with relative thresholds, refrigerating control (ATM=REL, CH=REF). Temperature alarm with relative thresholds, heating control (ATM=REL, CH=HEA).
ALA	-50... 120°	Low temperature alarm threshold.
AHA	-50... 120°	High temperature alarm threshold.
ALR	-12... 0°	Low temperature alarm differential. With ALR=0 the low temperature alarm is excluded.
AHR	0... 12°	High temperature alarm differential. With AHR=0 the high temperature alarm is excluded.
ATI	T1; T2; T3	Probe used for temperature alarm detection.
ATD	0... 120min	Delay before alarm temperature warning.
ADO	0... 30min	Delay before door open alarm warning.
AHM	NON; ALR; STP;	Operation in case of high condenser alarm NON: high condenser alarm inhibited. ALR: in case of alarm, "HC" flashes in the display and the buzzer is switched on. STP: in addition to the alarm symbols displayed, the compressor is stopped and defrosts are suspended.
AHT	-50...120°	Condensation temperature alarm.
ACC	0..52 weeks	Condenser periodic cleaning. When the compressor operation time, expressed in weeks, matches the ACC value programmed, "CL" flashes in the display. With ACC=0 the condenser cleaning warning is disabled.
HDS	1..5	Controller sensitivity for the automatic switchover from Group 1 to Group 2 (1=minimum, 5=maximum)
IISM	NON; MAN; HDD; DI2	Switchover mode to second parameter set NON: inhibition to use the second parameter group (the following parameter will be SB). MAN: button [D] switches the two parameter groups over. HDD: automatic switchover to the second parameter group, when heavy duty conditions are detected. DI2: switchover to the second parameter group when the auxiliary DI2 input makes.
IISL	-50...IISH	Minimum limit for IISP setting.
IISH	IISL...120°	Maximum limit for IISP setting.
IISP	IISL... IISH	Setpoint in mode 2.
IHY	1...10°	OFF/ON differential in mode 2.
IIFT	NO/YES	Optimised fan control enabling in mode 2.
IIDF	0...99 hours	Defrost timer set to start a defrost in mode 2.
SB	NO/YES	Stand-by button enabling [SB].
DS	NO/YES	Door switch input enabling (closed when door is closed).
DI2	NON; HPS; IISM; RDS	DI2 digital input operation NON: digital input 2 not active. HPS: when contact opens a condensing unit high pressure alarm occurs. IISM: when contact makes the controller will use group 2 parameters. RDS: when contact makes a defrost is started (remote control).
LSM	NON; MAN; DOR	Light control mode NON: light output not controlled. MAN: light output controlled through button [M] (if OAU=LGT). DOR: light output switched on when door is opened (if OAU=LGT).
OAU	NON; 0-1; LGT; 2CU; 2EU; AL0; AL1	AUX output operation NON: output disabled (always off). 0-1: the relay contacts follow the on/standby state of controller. LGT: output enabled for light control. 2CU: output programmed for the control of an auxiliary compressor. 2EU: output enabled for the control of the electrical defrost of a second evaporator. AL0: contacts open when an alarm condition occurs. AL1: contacts make when an alarm condition occurs.
INP	SN4; ST1	Temperature sensor selection. With INP = SN4, the probes must be the LAE models SN4...; with INP = ST1, the probes must be the LAE models ST1...
OS1	-12.5..12.5°C	Probe T1 offset.
T2	NO/YES	Probe T2 enabling (evaporator).
OS2	-12.5..12.5°C	Probe T2 offset.
T3	NON; DSP; CND; 2EU	Auxiliary probe T3 operation NON: probe T3 not fitted. DSP: temperature T3 to be displayed. CND: condenser temperature measurement. 2EU: second evaporator temperature measurement.
OS3	-12.5..12.5°C	Probe 3 offset.
TLD	1...30 min	Delay for minimum temperature (TLO) and maximum temperature (THI) logging.
SIM	0...100	Display slowdown.
ADR	1...255	AD3-5 address for PC communication.

### WIRING DIAGRAMS



### TECHNICAL DATA

**Power supply**  
AD-3...D 12Vdc ±10%, 3W  
AD-3...W 110 - 230Vac±10%, 50/60Hz, 3W

**Relay outputs**  
Compressor 12(5)A 240Vac  
Evap. fans 7(2)A 240Vac  
Defrost 7(2)A 240Vac  
Auxiliary loads 7(2)A 240Vac

**Inputs**  
NTC 10KΩ@25°C, LAE part No. SN4...  
PTC 1000Ω@25°C, LAE part No. ST1...

**Measurement Range**  
-50...120°C, -55...240°F  
-50 / -9.9 ... 19.9 / 80°C (NTC10K only)

**Measurement accuracy**  
<0.5°C within the measurement range

**Operating conditions**  
-10 ... +50°C; 15%...80% r.H.

**CE (Reference Norms)**  
EN60730-1; EN60730-2-9;  
EN55022 (Class B);  
EN50082-1

**Front protection**  
IP55

**lae**  
ELECTRONIC

VIA PADOVA, 25  
31046 ODERZO /TV /ITALY  
TEL. +39 - 0422 815320  
FAX +39 - 0422 814073  
www.lae-electronic.com  
E-mail: sales@lae-electronic.com

## AD3-5 ISTRUZIONI D'USO

Vi ringraziamo per la preferenza accordataci scegliendo un prodotto LAE electronic. Prima di procedere all'installazione dello strumento, leggete attentamente il presente foglio d'istruzioni: solo così potrete ottenere massime prestazioni e sicurezza.

### DESCRIZIONE



Fig.1 — Pannello frontale

- Tasto Info / Setpoint.
- Tasto sbrinamento manuale / decremento.

### INDICAZIONI

- Uscita termostatazione
- Uscita ventole
- Uscita sbrinamento
- Attivazione 2° set di parametri
- Allarme

- Tasto incremento / modalità manuale.
- Tasto uscita / Stand-by.

### INSTALLAZIONE

- Inserire lo strumento in un foro di dimensioni 71x29 mm;
- Eseguire i collegamenti elettrici facendo riferimento al paragrafo "schemi di collegamento". Per ridurre gli effetti delle perturbazioni elettromagnetiche, distanziare i cavi delle sonde e di segnale dai conduttori di potenza.
- Fissare lo strumento al pannello mediante le apposite staffette, esercitando una corretta pressione; qualora presente, la guarnizione di gomma dev'essere interposta fra la cornice dello strumento ed il pannello, verificandone la perfetta adesione per evitare infiltrazioni verso la parte posteriore dello strumento.
- Posizionare la sonda T1 in un punto della cella che ben rappresenti la temperatura del prodotto da conservare.
- Posizionare la sonda T2 sull'evaporatore nel punto di maggior formazione di brina.
- La funzione della sonda T3 è determinata dal parametro T3. Con **T3=DSP** la sonda misura la temperatura da visualizzare sul display; con **T3=CND** la sonda rileva la temperatura del condensatore, va quindi posizionata fra le alette dell'unità condensante; con **T3=2EU** la sonda misura la temperatura del secondo evaporatore e va posizionata nel punto di maggior formazione di brina; con **T3=NON** si disabilita l'utilizzo della terza sonda.

### FUNZIONAMENTO

#### VISUALIZZAZIONI

In funzionamento normale sul display viene visualizzata la temperatura rilevata oppure una delle indicazioni seguenti:

<b>DEF</b> sbrinamento in corso	<b>HP</b> allarme di alta pressione sul condensatore
<b>REC</b> ristabilimento dopo uno sbrinamento	<b>HI</b> allarme di alta temperatura in cella
<b>OFF</b> strumento in stand-by	<b>LO</b> allarme di bassa temperatura in cella
<b>CL</b> richiesta pulizia condensatore	<b>E1</b> guasto nella sonda T1
<b>DO</b> allarme porta aperta	<b>E2</b> guasto nella sonda T2
<b>HC</b> allarme alta temperatura sul condensatore	<b>E3</b> guasto nella sonda T3

#### MENU INFO

Le informazioni disponibili nel menù info sono:

<b>T1</b> temperatura istantanea sonda 1	<b>TLO</b> temperatura minima registrata sonda 1
<b>T2</b> temperatura istantanea sonda 2	<b>CND</b> settimane di funzionamento del compressore
<b>T3</b> temperatura istantanea sonda 3	<b>LOC</b> stato della tastiera (blocco)
<b>THI</b> temp. massima registrata sonda 1	

#### Accesso al menù e visualizzazione informazioni.

- Premere e subito rilasciare il tasto .
- Con i tasti o selezionare il dato da visualizzare.
- Premere il tasto per visualizzare il valore.
- Per uscire dal menù, premere il tasto o attendere 10 secondi.

#### Reset delle memorizzazioni THI, TLO, CND

- Con i tasti o selezionare il dato da resettare.
- Visualizzare il valore con il tasto .
- Mantenendo premuto il tasto premere il tasto .

#### SETPOINT (visualizzazione e modifica valore di temperatura desiderato)

- Premere per almeno mezzo secondo il tasto per visualizzare il valore del setpoint.
- Mantenendo premuto agire con i tasti o per impostare il valore desiderato (la regolazione è compresa entro il limite minimo **SPL** e massimo **SPH**).
- Al rilascio del tasto il nuovo valore viene memorizzato.

#### STAND-BY

Il tasto premuto per 3 secondi, consente di commutare lo stato del regolatore fra operatività delle uscite e standby (solo con SB=YES).

#### BLOCCO DELLA TASTIERA

Il blocco dei tasti impedisce operazioni indesiderate, potenzialmente dannose, che possono avvenire qualora il regolatore operi in ambiente pubblico. Per inibire tutti i comandi da tastiera impostare **LOC=YES** nel menù INFO; per ripristinare la normale funzionalità riprogrammare **LOC=NO**.

#### SELEZIONE SECONDO GRUPPO DI PARAMETRI

È possibile selezionare i parametri di regolazione fra due diversi gruppi pre-programmati, per adattare in pochi istanti i parametri fondamentali del regolatore alle diverse esigenze. Il passaggio dal Gruppo I al Gruppo II può avvenire manualmente premendo per 2 secondi il tasto con **IISM=MAN**, automaticamente al rilevamento di condizioni di utilizzo particolarmente severe con **IISM=HDD**, alla chiusura dell'ingresso ausiliario DI2 con **IISM=DI2**. L'attivazione del Gruppo II viene segnalata dall'accensione dell'apposito LED sul regolatore. Se **IISM=NON** il passaggio al gruppo II è interdetto.

#### SBRINAMENTO

**Sbrinamento automatico.** Uno sbrinamento viene attivato automaticamente quando il timer interno raggiunge il tempo impostato nel parametro **DFT**.

- Sbrinamento temporizzato: Con **DFM=TIM** l'incremento del timer è continuo e gli sbrinamenti avvengono ad intervalli regolari. Ad esempio con **DFM=TIM** e **DFT=06** si avranno cicli di sbrinamento ad una distanza di 6 ore l'uno dall'altro.
- Sbrinamento ottimizzato: Con **DFM=FRO** il timer viene incrementato solo al verificarsi delle condizioni per la formazione di brina sull'evaporatore, fino ad eguagliare il parametro **DFT**. Se l'evaporatore lavora attorno a 0°C la frequenza degli sbrinamenti risulta funzione del carico termico e delle condizioni climatiche. Con setpoint molto inferiori a 0°C, la frequenza degli sbrinamenti dipende principalmente dai tempi di funzionamento del refrigeratore.
- Salvataggio conteggio: All'accensione dello strumento se **DFB=YES** il timer di sbrinamento riprende il conteggio dal tempo accumulato prima dello spegnimento, altrimenti (**DFB=NO**) riparte da 0. In modalità stand-by il conteggio accumulato è bloccato.

**Sbrinamento manuale o remoto.** È possibile attivare uno sbrinamento manualmente, premendo per 2 secondi il tasto , oppure, con **DI2=RDS**, tramite la chiusura del contatto ausiliario DI2.

**Tipo di sbrinamento.** Iniziato uno sbrinamento, le uscite Compressore e Sbrinamento sono comandate in conformità al parametro **DTY**. Se **FID=YES** le ventole evaporatore sono attive durante uno sbrinamento.

**Termine dello sbrinamento.** La durata effettiva dello sbrinamento è influenzata da una serie di parametri.

- Terminazione a tempo: **T2=NO** e T3 diverso da 2EU: la temperatura dell'evaporatore non viene monitorata e lo sbrinamento avrà sempre durata pari al tempo **DTO**.
- Monitoraggio temperatura su un evaporatore: **T2=YES** e T3 diverso da 2EU: qualora la sonda T2 raggiunga la temperatura DLI

entro il tempo **DTO**, lo sbrinamento avrà una conclusione anticipata.

- Monitoraggio temperatura su due evaporatori: **T2=YES**, **T3=2EU**, **OAU=2EU**: questa modalità è destinata al controllo indipendente di due evaporatori e prevede lo spegnimento individuale del riscaldamento dell'evaporatore che raggiunge per primo la temperatura **DLI** in attesa che, entro il tempo **DTO**, anche il secondo raggiunga tale temperatura (v. figura).

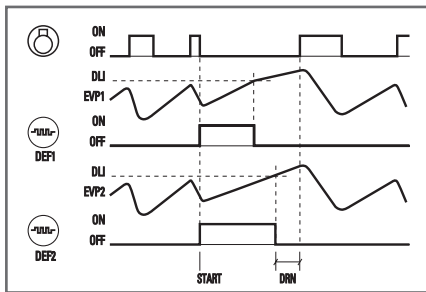
**Ristabilimento del ciclo termostatico.** Terminato lo sbrinamento, se **DRN** è maggiore di 0, tutte le uscite rimarranno spente per **DRN** minuti, per consentire una completa fusione del ghiaccio e lo smaltimento dell'acqua formatasi. Inoltre, qualora la sonda T2 sia attiva (**T2=YES**), le ventole ripartiranno quando l'evaporatore avrà una temperatura inferiore a **FDD**; se però la sonda T2 non è attiva (**T2=NO**) o, dopo la conclusione dello sbrinamento, tale condizione non si verifica entro il tempo **FTO**, trascorsi **FTO** minuti le ventole vengono comunque riavviate.

Attenzione: se **DFM=NON** o **C-H=HEA** tutte le funzioni di sbrinamento sono inibite; se **DFT=0** vengono escluse le funzioni di sbrinamento automatico; durante un allarme di Alta Pressione lo sbrinamento è sospeso; durante uno sbrinamento l'allarme d'alta temperatura è sospeso.

### PARAMETRI DI CONFIGURAZIONE

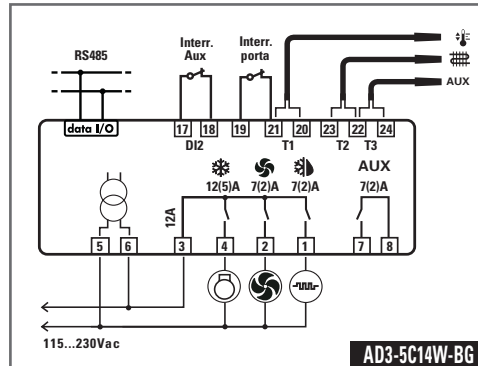
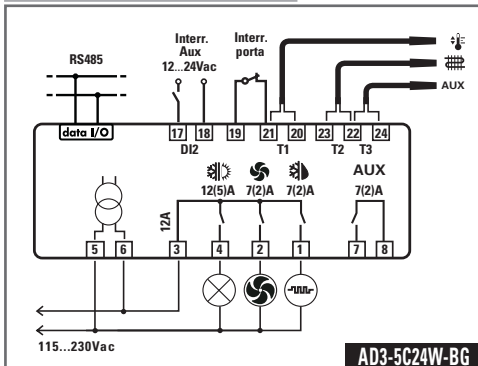
- Per accedere al menù di configurazione dei parametri, premere per 5 secondi i tasti +.
- Con i tasti o selezionare il parametro da modificare.
- Premere il tasto per visualizzare il valore.
- Mantenendo premuto agire con i tasti o per impostare il valore desiderato.
- Al rilascio del tasto il nuovo valore viene memorizzato e viene visualizzato il parametro successivo.
- Per uscire dal setup premere il tasto o attendere 30 secondi.

PAR	RANGE	DESCRIZIONE
<b>SCL</b>	1°C; 2°C; °F	scala di lettura. 1°C (solo con INP=SN4): range di misura -50/-9.9...19.9/80°C 2°C: range di misura -50...120°C °F: range di misura -55...240°F  Attenzione: cambiando il valore di <b>SCL</b> vanno assolutamente riconfigurati i parametri riguardanti le temperature assolute e relative ( <b>SPL</b> , <b>SPH</b> , <b>SP</b> , <b>ALA</b> , <b>AHA</b> , ecc...).
<b>SPL</b>	-50...SPH	Limite minimo per la regolazione di <b>SP</b> .
<b>SPH</b>	SPL..120°	Limite massimo per la regolazione di <b>SP</b> .
<b>SP</b>	SPL... SPH	Temperatura di commutazione (valore che si desidera mantenere nella cella).
<b>C-H</b>	REF; HEA	Modo di regolazione refrigerazione (REF) o riscaldamento (HEA).
<b>HYS</b>	1...10°	Differenziale OFF/ON del termostato   Regolazione in refrigerazione (C-H=REF)      Regolazione in riscaldamento (C-H=HEA)
<b>CRT</b>	0...30min	Tempo di fermata del compressore. La riaccensione dell'uscita avviene solo se sono trascorsi CRT minuti dal precedente spegnimento. Consigliamo <b>CRT=03</b> con <b>HYS&lt;2.0°</b> .
<b>CT1</b>	0...30min	Tempo di attivazione dell'uscita termostato durante un'anomalia della sonda T1. Con <b>CT1=0</b> l'uscita sarà sempre OFF.
<b>CT2</b>	0...30min	Tempo di fermata dell'uscita termostato durante un'anomalia della sonda T1. Con <b>CT2=0</b> e <b>CT1=0</b> l'uscita sarà sempre ON. Esempio: <b>CT1=4</b> , <b>CT2=6</b> : In caso di rottura della sonda T1 il compressore funziona con cicli di 4 minuti ON e 6 minuti OFF.
<b>CSD</b>	0...30min	Ritardo della fermata del compressore in seguito all'apertura della porta (attivo solo se <b>DS = YES</b> ).
<b>2CD</b>	0...120sec	Ritardo accensione compressore ausiliario. Se <b>OAU=2CU</b> l'uscita ausiliaria si attiva <b>2CD</b> secondi dopo che il compressore principale è entrato in funzione. Lo spegnimento rimane sempre simultaneo.
<b>DFM</b>	NON; TIM; FRO	Modalità di avvio di un ciclo di sbrinamento NON: la funzione di sbrinamento viene disabilitata (il successivo parametro sarà <b>FID</b> ). TIM: il timer per l'attivazione dello sbrinamento è incrementato in modo continuo. FRO: il timer viene incrementato solo quando sull'evaporatore si verificano le condizioni per la formazione di brina (incremento ottimizzato).
<b>DFT</b>	0...99 ore	Valore del timer raggiunto il quale si ha l'avvio di un ciclo di sbrinamento.
<b>DFB</b>	NO/YES	Memorizzazione del tempo accumulato dal timer di sbrinamento. Con <b>DFB=YES</b> , dopo un'interruzione dell'alimentazione (blackout) il timer riparte dal valore raggiunto al momento dello spegnimento ± 30 min. Con <b>DFB=NO</b> , dopo un'interruzione dell'alimentazione, il timer riparte da zero.
<b>DLI</b>	-50...120°	Temperatura di fine sbrinamento.
<b>DTO</b>	1...120min	Durata massima dello sbrinamento.
<b>DTY</b>	OFF; ELE; GAS	Tipo di sbrinamento OFF: sbrinamento a fermata (Compressore e Sbrinatori OFF). ELE: sbrinamento elettrico (Compressore OFF e Sbrinatori ON). GAS: sbrinamento a gas caldo (Compressore e Sbrinatori ON).
<b>DRN</b>	0...30min	Pausa dopo uno sbrinamento (sgocciolamento dell'evaporatore).
<b>DDY</b>	0...60min	Display in sbrinamento. Se <b>DDY=0</b> durante uno sbrinamento continua ad essere visualizzata la temperatura. Se <b>DDY&gt;0</b> , durante uno sbrinamento il display visualizza DEF, e al termine dello sbrinamento visualizza REC per <b>DDY</b> minuti.
<b>FID</b>	NO/YES	Attivazione ventole in sbrinamento.
<b>FDD</b>	-50...120°	Temperatura di ripartenza ventole evaporatore dopo uno sbrinamento.
<b>FTO</b>	0...120min	Durata massima fermata ventole evaporatore dopo uno sbrinamento.
<b>FTC</b>	NO/YES	Abilitazione controllo ottimizzato ventole. Con <b>FTC = NO</b> le ventole rimangono sempre accese.   Fig. 2. Controllo ottimizzato ventole (FTC=YES).
<b>FT1</b>	0...180sec	Ritardo spegnimento ventole dopo lo spegnimento del compressore. Vedi Fig.2
<b>FT2</b>	0...30min	Fermata temporizzata ventole. Con <b>FT2=0</b> le ventole rimangono sempre in funzione.
<b>FT3</b>	0...30min	Corsa temporizzata ventole. Con <b>FT3=0</b> e <b>FT2&gt;0</b> , le ventole rimangono sempre spente.

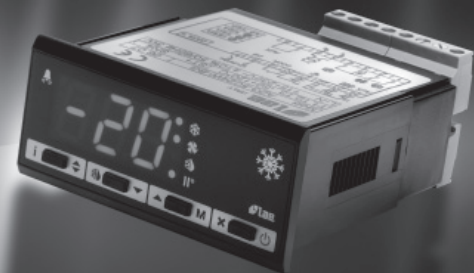


<b>ATM</b>	NON; ABS; REL	Gestione soglie allarme. NON: Tutti gli allarmi di temperatura sono interdetti. (Il successivo parametro sarà <b>ADO</b> ) ABS: I valori programmati in <b>ALA</b> e <b>AHA</b> rappresentano le reali soglie d'allarme REL: I valori programmati in <b>ALR</b> e <b>AHR</b> sono i differenziali d'allarme rispetto a <b>SP</b> e <b>SP+HY</b>   Allarme di temperatura con soglie relative, controllo in refrigerazione ( <b>ATM=REL</b> , <b>C-H=REF</b> ). Allarme di temperatura con soglie relative, controllo in riscaldamento ( <b>ATM=REL</b> , <b>C-H=HEA</b> ).
<b>ALA</b>	-50...120°	Soglia d'allarme di bassa temperatura.
<b>AHA</b>	-50...120°	Soglia d'allarme di alta temperatura.
<b>ALR</b>	-12...0°	Differenziale d'allarme di bassa temperatura. Con <b>ALR=0</b> l'allarme di bassa temperatura viene escluso.
<b>AHR</b>	0...12°	Differenziale d'allarme di alta temperatura. Con <b>AHR=0</b> l'allarme di alta temperatura viene escluso.
<b>ATI</b>	T1; T2; T3	Selezione sonda di riferimento per l'allarme di temperatura.
<b>ATD</b>	0...120min	Ritardo nella segnalazione dell'allarme di temperatura.
<b>ADO</b>	0...30min	Ritardo nella segnalazione dell'allarme di porta aperta.
<b>AHM</b>	NON; ALR; STP	Modo di funzionamento in caso di allarme del condensatore NON: inibizione dell'allarme del condensatore. ALR: in caso di allarme il display lampeggia "HC" e viene attivato il buzzer. STP: oltre alle visualizzazioni d'allarme si ha l'immediata fermata del compressore e la sospensione degli sbrinamenti.
<b>AHT</b>	-50...120°	Temperatura d'allarme condensazione.
<b>ACC</b>	0...52 sett.	Pulizia periodica condensatore. Quando il tempo di funzionamento del compressore, espresso in settimane, raggiunge il valore <b>ACC</b> , sul display lampeggia "CL". Con <b>ACC=0</b> l'indicazione per la pulizia del condensatore è disabilitata.
<b>HDS</b>	1...5	Sensibilità del regolatore per il passaggio automatico dal Gruppo 1 al Gruppo 2 (1= minimo, 5= massimo).
<b>IISM</b>	NON; MAN; HDD; DI2	Modalità di passaggio al secondo set di parametri NON: inibizione uso secondo gruppo di parametri (il successivo parametro sarà <b>SB</b> ). MAN: abilitazione tasto  per commutare i due gruppi di parametri. HDD: passaggio automatico al secondo gruppo di parametri, al rilevamento di condizioni di utilizzo particolarmente severe. DI2: passaggio al secondo gruppo di parametri alla chiusura dell'ingresso ausiliario DI2.
<b>IISL</b>	-50...IISH	Limite minimo per la regolazione di <b>IISP</b> .
<b>IISH</b>	IISL...120°	Limite massimo per la regolazione di <b>IISP</b> .
<b>IISP</b>	IISL... IISH	Setpoint in modalità 2.
<b>IHY</b>	1...10°	Differenziale OFF/ON in modalità 2.
<b>IIFT</b>	NO/YES	Abilitazione controllo ottimizzato ventole in modalità 2.
<b>IIDF</b>	0...99 ore	Valore del contaore per l'avvio di un ciclo di sbrinamento in modalità 2.
<b>SB</b>	NO/YES	Abilitazione tasto standby .
<b>DS</b>	NO/YES	Abilitazione sensore ingresso porta (chiuso con porta chiusa).
<b>DI2</b>	NON; HPS; IISM; RDS	Funzionamento dell'ingresso digitale DI2 NON: ingresso digitale 2 non attivo. HPS: all'apertura si genera un allarme di alta pressione nell'unità condensante. IISM: alla chiusura del contatto il regolatore utilizza come riferimento i parametri del gruppo 2. RDS: alla chiusura del contatto viene avviato uno sbrinamento (comando remoto).
<b>LSM</b>	NON; MAN; DOR	Modalità comando luci NON: uscite luci non gestita. MAN: uscite luci controllata tramite il tasto  (se <b>OAU=LG1</b> ). DOR: uscite luci attivata all'apertura della porta (se <b>OAU=LG1</b> ).
<b>OAU</b>	NON; 0-1; LGT; 2CU; 2EU; AL0; AL1	Funzionamento dell'uscita ausiliaria AUX NON: uscita disabilitata (sempre spenta). 0-1: i contatti del relè seguono lo stato on/standby del regolatore. LGT: uscita abilitata al controllo delle luci. 2CU: uscita programmata per il comando di un compressore ausiliario. 2EU: uscita abilitata al controllo dello sbrinamento elettrico del secondo evaporatore. AL0: apertura dei contatti al presentarsi di una condizione d'allarme. AL1: chiusura dei contatti al presentarsi di una condizione d'allarme.
<b>INP</b>	SN4; ST1	Selezione del sensore di temperatura. Con <b>INP = SN4</b> le sonde devono corrispondere ai modelli LAE SN4...; con <b>INP = ST1</b> devono corrispondere ai modelli LAE ST1...
<b>OS1</b>	-12.5..12.5°C	Correzione misura sonda T1.
<b>T2</b>	NO/YES	Abilitazione della sonda T2 (evaporatore).
<b>OS2</b>	-12.5..12.5°C	Correzione misura sonda T2.
<b>T3</b>	NON; DSP; CND; 2EU	Utilizzo della sonda ausiliaria T3. NON: sonda T3 non presente. DSP: visualizzazione della temperatura T3 sul display. CND: misurazione della temperatura del condensatore. 2EU: misurazione della temperatura del secondo evaporatore.
<b>OS3</b>	-12.5..12.5°C	Correzione misura sonda 3.
<b>TLD</b>	1...30 min	Ritardo nella memorizzazione delle temperature minime (TLO) e massime (THI) raggiunte.
<b>SIM</b>	0...100	Rallentamento display.
<b>ADR</b>	1...255	Indirizzo di AD3-5 per la comunicazione con PC.

### SCHEMI DI COLLEGAMENTO



## AD3-5



### INSTRUCTIONS FOR USE ISTRUZIONI D'USO

**lae**  
ELECTRONIC

VIA PADOVA, 25  
31046 ODERZO /TV /ITALY  
TEL. +39 - 0422 815320  
FAX +39 - 0422 814073  
www.lae-electronic.com  
E-mail: sales@lae-electronic.com

### DATI TECNICI

**Alimentazione**  
AD-3...D 12Vdc ±10%, 3W  
AD-3...W 110 / 230Vac±10%, 50/60Hz, 3W

**Uscite relè**  
Compressore 12(5)A 240Vac  
Ventole evp 7(2)A 240Vac  
Sbrinamento 7(2)A 240Vac  
Carichi ausiliari 7(2)A 240Vac

**Ingressi**  
NTC 10KΩ@25°C, codice LAE SN4...  
PTC 1000Ω@25°C, codice LAE ST1...

**Range di misura**  
-50...120°C, -55...240°F  
-50 / -9.9...19.9 / 80°C (solo NTC10K)

**Precisione di misura**  
<0.5°C nel range di misura

**Condizioni operative**  
-10...+50°C; 15...80% U.R.

**CE (Normative di riferimento)**  
EN60730-1; EN60730-2-9;  
EN55022 (Classe B);  
EN50082-1

**Protezione frontale**  
IP55

### AD3-5 INSTRUCTIONS FOR USE ISTRUZIONI D'USO



0LAD3002-05